

Low Pressure Polyurethane Machine



GMA 'Lv' Series

The GMA 'Lv' Series is a newly designed low pressure polyurethane machine which has the capability of multiple indexing.

A.C. inverters are installed to vary the flow rate of components independently. 'Lv' series offers better features, competitive prices and easy maintenance.





Quality, Sincerity, Innovation



■ ■ ■ Tank

- Non-jacketed tanks are supplied as standard feature for GMA 'Lv' series.
- Material temperature conditioning is done through tube-nest heat exchangers with heating resistances. Cooling by chilled water is supplied by others.



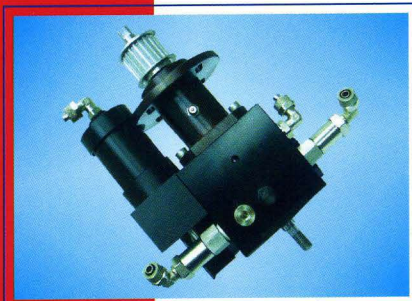
■ ■ ■ Individually Driven Pump System

- Both pumps are individually coupled to A.C. motor.
- Speed of motor can be manually adjusted via the frequency inverter. This allows for a wider range of ratio-mix selections as compared to the traditional gear box design.



■ ■ ■ Mixer

- Pouring cycle is pneumatically controlled.
- Both ISO and POLYOL are flushed into the mixer to obtain a good blend prior to pouring.
- Washing and drying cycles are activated after pouring is completed, to minimize maintenance of the mixer.



■ ■ ■ Mixing Head

- Mixing head is driven by 3 phase AC electric motor.
- It is suspended on a standard mechanical spring operated boom.
- Push button box is mounted close to mix-head for operator to control the injection. Manual washing is provided.



Electrical Control Panel

- The electrical panel comprises of digital components gauges, digital temperature controllers, touch screen operator panel, ISO and POLYOL variable speed controllers, push buttons and indication lamps.

Touch Screen Operator Panel

- This operating panel has a IP65 front panel protection and is user friendly. Function keys are provided for easy access to its:
 - * Menu:
 - ~ Machine Data
 - ~ Pouring Data
 - * Setting to Metering Parameters include:
 - ~ Selection for auto wash and auto flush after pouring ends.
- 29 programmable pouring timers and display of actual pouring time.
- Setting of ISO and POLYOL index speeds (each component can select up to 7 speeds).
- Selection of delayed washing function.
- Alarm text message is also provided to enhance remedy action.



Touch Screen Operator Panel

ISO & POLYOL Inverter Display

ISO & POLYOL speed controllers have multiple indexing features which enable the operator to calibrate and set the ratio required.



ISO & POLYOL Inverter Display

Inverter

- High performance inverters that incorporate in a high efficiency Pulse Width Modulated design are used in all 'Lv' series machines. Output from this inverter closely resembles the sinusoidal current waveform to allow for precise variable speed control of the AC motor.
- Setting of 7 index speed (on individual component) can be done through the touch screen operator panel. Setting can be changed at any time.
- Selection of required speed for each component is governed by Touch Screen Operator Panel. Thus multiple combinations of indexing speeds for both components can be stored at each of the 29 programmable timers.



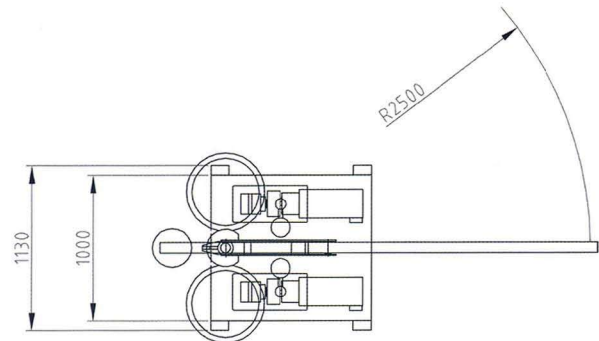
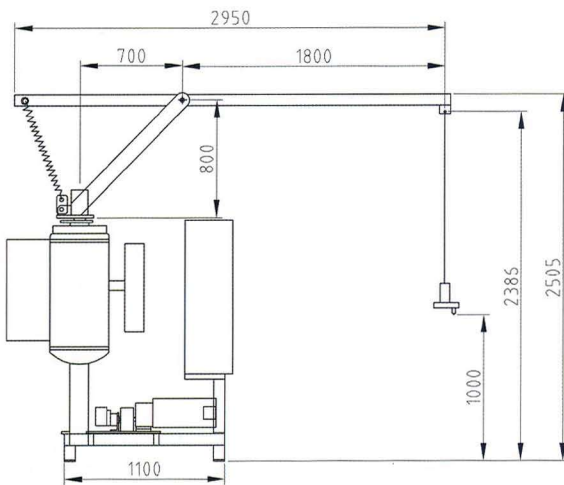
ISO & POLYOL Inverters

Available Options



Transfer Pumps :

- Proven positive displacement piston design, reliable.
- Plug and use, driven use only by one air inlet line.
- Fully air driven, can operate in an explosion proof environment.
- Double acting, displacement on both up and down strokes.
- Consistent, powerful, precise fluid control.
- Use it as material supply/feeding pumps for your machines.



Layout Dimension (mm)*

Model	Output Range	Electrical Power	Tank Capacity		Air Minimum	Chilled Water	Weight
	Ratio 1:1 (kg/min)	KW	Material (litre)	Solvent (litre)	6 bar (nl/min)	(litre/min)	(kg)
Lv2	0.4-2.0	6.2	80	19	100	10	260
Lv7	1.4-7.0	7.5	80	19	100	10	260
Lv15	3.0-15.0	9	80	19	100	10	260
Lv30	6.0-30.0	13	200	19	130	30	900
Lv60	12.0-60.0	16	200	19	130	30	920
Lv100	20.0-100.0	20	200	19	150	30	950

* Supplier reserves the rights to change design according to technological advancement.

Note: Standard Power System -380V; 3 phase; 50Hz & 220V; 3 phase; 60Hz
 Output capacity derives from chemicals with viscosity between 10-2000 cps.
 Specific gravity -ISO = 1.20, POL = 1.05

MANUFACTURER: **RIM POLYMERS INDUSTRIES PTE LTD**

**Headquarter
(Singapore):**

209 Henderson Road, #03-08 Henderson Industrial Park, Singapore 159551
 Tel: (65) 6278 3288 Fax: (65) 6271 0426
 Website : www.rimpolymers.com

Regional Offices : China / Indonesia / Malaysia / South Korea / Thailand / Vietnam